

Titan VoIP Handset Telephone
Metal Bodied Weather Resistant



- **Embedded Browser for simple configuration**
- **Vandal Resistant Handset and Cord**
- **Robust and weather resistant up to IP66**
- **Full keypad, full keypad with memory, ringdown and 1, 3 and 6 button autodial versions**
- **Multi purpose design for wall or post mounting, simple installation**
- **Large tactile buttons, easy to see and operate**
- **Four contact inputs, and two relay outputs as standard**
- **E-mail fault reporting**



Titan's aluminum body is robust and designed to look good and last longer in hostile outdoor environments. Along with weather and vandal resistance, the Titan range meets the acoustic performance, reliability and varying applications demanded by today's markets.

Titan is simple to install with mounting holes concealed from view giving increased security from vandalism. Cable entries are via watertight glands while push buttons are weather sealed. Its spring loaded door also gives extra weather protection to the telephone.

Voice over IP (SIP protocol)

For connection to a VoIP enable network, GAI-Tronics VoIP-SIP telephones offer direct connection to LAN or WAN via RJ45 connector, including Power-Over-Ethernet (PoE) as standard. GAI-Tronics VoIP-SIP phones offer a wealth of additional features including real-time reporting via Syslog, and can be configured by web browser.

Keypad Options:

15 & 18 button Full Keypad: Included in the 18 button version, are 3 direct dial buttons for fast one touch dialing of pre-stored numbers or accessing low cost call facilities. The 15 and 18 keypad versions include: S 'Microphone mute' or 'Silence', R 'Recall', LR 'Last number redial'

1, 3, 6 & 18 button Autodial

These models are programmable via an internal keypad. A microphone muting facility guards against unauthorized calls made with a remote DTMF tone pad. To make a call, simply lift the handset and press a single button. The pre-programmed number (up to 24 digits) will then dial automatically.



0 button Ringdown

This can be used to initiate a 'hotline' / lift handset and wait for reply, or autodial on handset lift.



Titan VoIP Handset Telephone Metal Bodied Weather Resistant

TECHNICAL SPECIFICATIONS

Casing Material

Die cast aluminum, epoxy powder coated yellow.

Handset Material

Cyclopol (2850) with stainless steel spiral cord

Keypad

Weather sealed tactile digital keypad. Silicone rubber material, resistant to most chemicals and solvents

Temperature

Operating: -4° F to +140° F (-20° C to +60° C)

Storing: -40° F to +158° F (-40° C to +70° C)

Weather Resistance

Door open - IP65

Door closed - IP66

Ringtone

Shrill warble tone 80 dBA @ 1 meter typical

Hookswitch

Electronic / magnetic with no visible moving parts

Lightning / Transients

Protection to ITU-T k.21 enhanced levels

M.T.B.F.

Calculated to have an M.T.B.F. in excess of 50,000 hours using MIL-HDBK-217F Notice 2

Weight

Up to 11lbs (5 kg) depending on option

VOICE OVER IP - SIP

Connection type

RJ45 socket (inside sealed enclosure)

Power supply

External 48Vdc or Power-Over-Ethernet (PoE 802.3af compliant)

Call set-up Protocol

Session Initiation Protocol (SIP) (RFC 3261) only

Configuration

Via configuration file or web page. Static IP address provisioning or DHCP

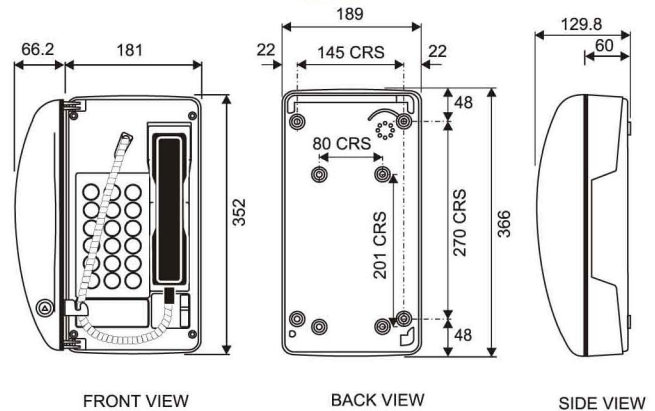
External I/O

4 auxiliary inputs, 2 isolated relay outputs

Monitoring and reporting

Real-time over TCP/IP proprietary Syslog application

DIMENSIONS:



APPROVALS



This mark indicates compliance with the: Radio & Telecommunications Terminal Equipment Directive 1999/5/EC (R&TTE)



This mark indicates compliance for inductively coupling to Hearing Aids having a 'T' switch position Tested to ETS 300-381 and in accordance with ITU-T P37.

For specific country approval, please call GAI-Tronics®

FCC

This device complies with part 15 of the FCC Rules. Operation is subject to the condition that this device does not cause harmful interference.



This mark indicates successful completion of Cisco Product Compatibility testing.

ORDER INFORMATION

Tak Cheong (Yau Kee) Enterprise Ltd
T: (852) 2510 8228, F: (852) 2510 0116, E: sales@takcheong.com.hk

Titan VoIP Ringdown	110-02-1010-111TC
Titan VoIP One (1) Button Auto-dial	110-02-1011-111TC
Titan VoIP Three (3) Button Auto-dial Flush mounting	110-02-1013-111TC - FM
Titan VoIP Standard Keypad	110-02-101F-111TC
Titan VoIP Standard Keypad with Three (3) Auto-dial Buttons	110-02-101J-111TC



GAI-Tronics® - USA Toll Free: 1 (800) 492-1212 Tel: (610) 777-1374 Fax: (610) 796-5954 www.gai-tronics.com
GAI-Tronics® Limited, UK Tel: +44 (0)1283 500500 Fax: +44 (0)1283 500400 www.gai-tronics.co.uk
GAI-Tronics® S.r.l, Italy Tel: +39 02 4588801 Fax: +39 02 93663110 www.gai-tronics.it
GAI-Tronics® - Malaysia Tel: +60-3-8945-4035 / 8945-7348 Fax: +60-3-8945-4675 www.gai-tronics.com
Austdac - GAI-Tronics® - Australia Tel: 011-61-28-851-5000 Fax: 011-61-29-899-2490 www.austdac.com.au

Quality Management System Certified by DNV – ISO 9001:2008

The policy of GAI-Tronics is one of continuous improvement; therefore the company reserves the right to change specifications without notice.