



## Commander

### Plastic Bodied Heavy Duty Telephone



- **Standard and SMART Analogue and VoIP-SIP options available**
- **Vandal Resistant Handset and Cord**
- **Robust and weather resistant: IP65**
- **Full keypad, CB and 1, 3 and 6 button programmable autodialler telephones**
- **Dual purpose design for wall or desk mounting, simple installation**
- **Large tactile buttons, easy to see and operate**
- **Inductive Coupler fitted as standard for hard of hearing**
- **Standard or Customised units**
- **Handset cord length options**
- **CE Compliant**

The Commander family of telephones are tough, weather resistant units built to withstand abuse and environmental extremes.

The Commander body is moulded in glass filled polyester to prevent rust and corrosion. It is simple to install with fixings concealed from view giving increased security from vandalism. Connectivity options are:

#### Standard Analogue

The standard analogue unit provides basic telephone functions and can be connected to any standard two-wire telephone line, including FXS ports, analogue PABX lines and PSTN.

#### SMART Analogue

**Self Monitoring And Reporting Telephone** can be integrated with GAI-Tronics' TMA monitoring and maintenance software and/or GAI-Tronics CMA call centre. SMART gives advanced features including remote programming, fault monitoring and call logging, all from a line-powered telephone capable of operating up to 7km from the exchange on a two-wire cable.

#### Voice over IP (SIP protocol)

For connection to a VoIP enabled network, GAI-Tronics VoIP-SIP telephones offer direct connection to LAN or WAN via RJ45 connector, including Power-Over-Ethernet (PoE) as standard. GAI-Tronics VoIP-SIP phones offer a wealth of additional features including real-time reporting via Syslog, and can be configured by web browser.

#### Keypad Options:

##### 15 button Full Keypad

The 15 button keypad versions include: **S** 'Microphone mute' or 'Silence', **R** 'Recall', **LR** 'Last number redial'

##### 1, 3 & 6 button Autodiallers

These models are programmable via an internal keypad. A microphone muting facility guards against unauthorised calls made with a remote MF tone pad. To make a call, simply lift the handset and press a single button. The pre-programme number (up to 24 digits) will then dial automatically.

##### 0 button CB

This can be used to initiate a PABX 'hotline' or lift handset and wait for reply, where the PABX does the call routing/dialling. Autodial on handset lift also available.



As well as the standard Commander range, GAI-Tronics can supply specials to order with customised options.

# GAI-Tronics Telephony

## Commander

### Plastic Bodied Heavy Duty Telephone

#### GENERAL SPECIFICATIONS

##### Casing Material

Glass filled polyester.

Colours: yellow, grey or special order

##### Handset Material

Cyclopol (2850) with stainless steel spiral cord

##### Keypad

Weathersealed tactile digital keypad. Silicone rubber material, resistant to most chemicals and solvents

##### Operating temperature

-20° C to +60° C

##### Weather Resistance

Up to IP65

##### Ringing Tone

Shrill warble tone 80 dBA @ 1 metre typical

##### Hookswitch

Electronic / magnetic with no visible moving parts

##### M.T.B.F.

Calculated to have an M.T.B.F. in excess of 50,000 hours using MIL-HDBK-217F Notice 2

##### Weight

3 kg approx

#### STANDARD ANALOGUE

##### Dialling

LD (pulse) or MF (tone). User selectable

##### Time Out

Enforces a fixed call maximum time limit to 6-8 minutes from lifting the handset. User selectable

##### Power supply

Drawn from telephone line

##### Lightning / Transients

Protection to ITU-T k.21 enhanced levels

#### SMART (ANALOGUE)

All the features of the standard analogue unit plus:

##### Remote programming

Auto-dial numbers, time-out and dial mode can be programmed over the phone line either from a tone phone or from monitoring software (TMA).

##### Configuration

Remotely programmable via TMA

##### Remote monitoring

Remote health-check and fault reporting, including handset integrity, either on a call-in or polled basis. TMA required

##### Call Logging

Records call time, duration and auto-dial number used. TMA required

#### VOICE OVER IP - SIP

##### Connection type

RJ45 socket (inside sealed enclosure)

##### Power supply

External 24-48Vdc or Power-Over-Ethernet (PoE 802.3af compliant)

##### Call set-up Protocol

Session Initiation Protocol (SIP) (RFC 3261) only

##### Configuration

Via configuration file or web page. Static IP address provisioning or DHCP

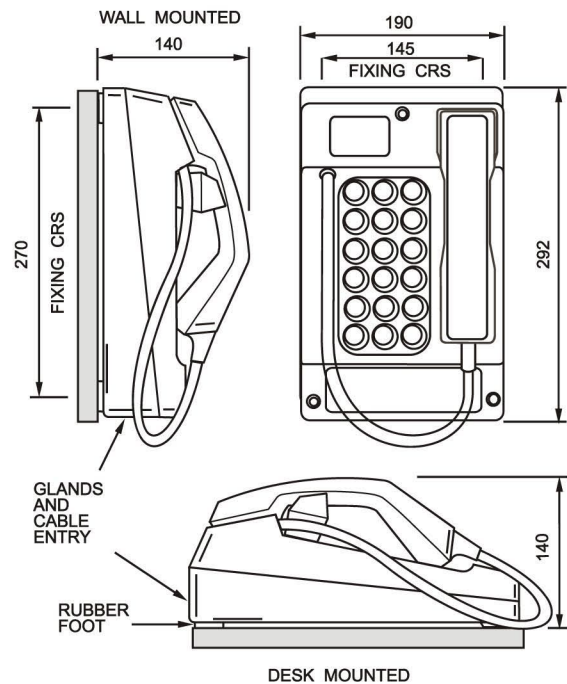
##### External I/O

4 auxilliary inputs, 2 isolated relay outputs, capable of switching 230Vac

##### Monitoring and reporting

Real-time over TCP/IP proprietary Syslog application

#### DIMENSIONS



#### APPROVALS



This mark indicates compliance with the following directives: Radio & Telecommunications Terminal Equipment Directive 1999/5/EC (R&TTE)



This mark indicates compliance for inductively coupling to Hearing Aids having a 'T' switch position. Tested to ETS 300-381 and in accordance with ITU-T P37.



GAI-Tronics is a CISCO Technology Developer Partner  
Cisco IVT Tested

For specific country approval, please call

#### ORDER INFORMATION

Tak Cheong (Yau Kee) Enterprise Ltd

T: (852) 2510 8228, F: (852) 2510 0116, E: sales@takcheong.com.hk

Order Code: 15 Button Yellow 620-b22142211ZTC  
0 Button Yellow 2200L2424212M10TC  
VOIP: 0 Button Yellow 111-02-0010-101TC  
1 Button Yellow 111-02-0011-101TC  
3 Button Yellow 111-02-0013-101TC  
15 Button Yellow 111-02-001F-101TC

For 028 Series, please contact us.



GAI-Tronics, UK - Tel: +44 (0)1283 500500 - Fax: +44 (0)1283 500400 - [www.gai-tronics.co.uk](http://www.gai-tronics.co.uk)  
GAI-Tronics Corporation, USA - Tel: +1(610) 777 1374 - Toll Free: 800 492 1212 - Fax: +1(610) 775 6540 - [www.gai-tronics.com](http://www.gai-tronics.com)  
GAI-Tronics S.r.l, Italy - Tel: +39 02 48601 460 - Fax: +39 02 4585 625  
GAI-Tronics Corporation, Malaysia - Tel: +60 3 8945 4035 - Fax: +60 3 8945 4675  
An ISO9001 Registered Company  
The policy of GAI-Tronics is one of continuous improvement, therefore the company reserves the right to change specifications without notice.